

Specification



SelfCooking Center® 101 E (10x1/1 GN)

The world's first SelfCooking Center® Just select food, define result - that's it! There is no need for conventional inputs such as temperature, time and humidity, complicated programming, constant monitoring or other routine jobs. All the technical features of the SelfCooking Center® are used fully automatically, which means that you always reap the full benefits for your money. There is simply no need for expensive user training. Even temporary staff can use the SelfCooking Center® without problems.

Description Cooking appliance for automatically cooking (Automatic mode) roasts, pan fries, poultry, fish, side dishes, potato products, egg dishes, desserts, bakery products and for automatic Finishing®.

Hot-air steamer (combi-steamer mode) conforming to DIN 18866 for most of the cooking methods used in commercial kitchens for the optional use of steam and hot air, individually, in succession or in combination.

9 modes of function Automatic mode: Roasts, pan fries, poultry, fish, side dishes, potato products, egg dishes, desserts, baked products, Finishing®.

3 operating modes Combi-Steamer mode:
Moist heat (steam) between 30 °C and 130 °C
Dry heat (hot air) from 30 °C-300 °C
Combination of moist heat and dry heat 30 °C-300 °C

Working safety Maximum rack height 1.60 m when unit installed on an original base cabinet. Detergent and care tabs (solid detergents) for optimum health protection. VDE approved for unsupervised operation.

Function - automatic mode Function - Automatic mode In the 9 operating modes (Roasts, pan fries, poultry, fish, side dishes, potato products, egg dishes, desserts, baked products, Finishing®) the automatic mode automatically detects product-specific requirements, the size of the food to be cooked and the load size. Cooking time, temperature and the ideal cooking cabinet climate are continuously adjusted to achieve the result you want. The remaining cooking time is displayed.

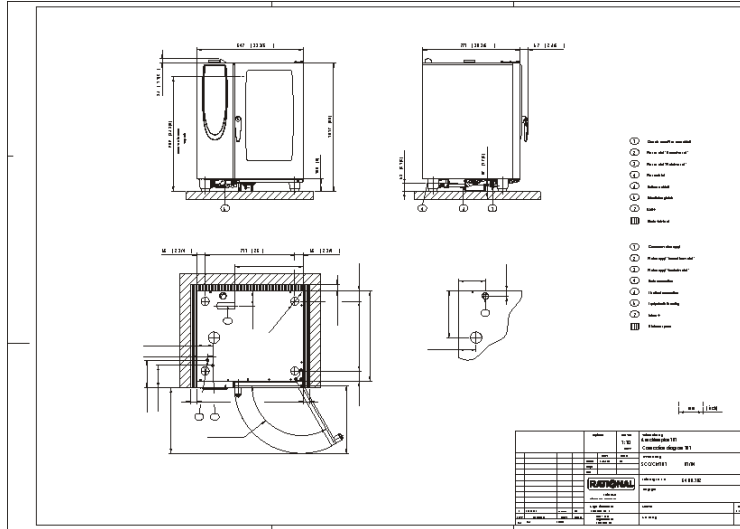
Function - Combi-Steamer mode Cooking by means of freely adjustable convection heat, unpressurised fresh steam or a combination of convection heat and fresh steam. In all operating modes cabinet humidity is measured and controlled the exact percentage.

Features::

- Clear control panel with pictograms
- Rack monitoring with individual time programming of each rack for non-stop loading
- Individual programming of at least 350 cooking programmes with up to 12 steps
- Automatic cleaning and care system for cooking cabinet and steam generator works regardless of the mains pressure
- Automatic cleaning prompt that notes the cleaning stage and volume of chemicals
- Care status is shown on the display
- 6 cleaning stages for unsupervised cleaning and care, even overnight
- Detergent and care tabs (solid detergents) for optimum health protection
- Maximum rack height 1.60 m when original base cabinet used
- Sensor-controlled cabinet humidity, actual humidity in cabinet can be adjusted and requested on the control panel
- 5 air speeds, programmable
- Humidifying function can be programmed with humidity values from 30 °C-260 °C for Dry Heat and Combination
- Core temperature probe with 6 measuring points and automatic correction if inserted incorrectly
- Core temperature probe integral with unit (cannot be lost)
- Positioning aid for core temperature probe
- Demand-related energy supply
- Integral hand shower with infinitely variable regulation, automatic retracting system and integral water shut-off function
- High-performance fresh steam generator with automatic self-cleaning system prevents the development of limescale; soft water and regular descaling are not required.
- Level of scaling in the steam generator is monitored and displayed.
- Automatic, active rinsing and drainage of steam generator by pump
- Limescale level of steam generator automatically sensed, automatic indication of when descaling is necessary, limescale level displayed at any time
- Menu-guided descaling program
- Integral, maintenance-free grease extraction system with no additional grease filter
- Cool down function for fast cabinet fan cooling
- Integral fan impeller brake
- Rear-ventilated double glass doors, hinged inside pane for easy cleaning
- Door handle with right/left and slam function
- Door locking positions
- Proximity door contact switch
- Seamless hygienic cooking cabinet with rounded corners, cabinet with splash guard - stops water spilling out
- Press-fit cabinet seal
- Airflow optimised cooking cabinet
- Swivel air baffle with quick-release locks
- Drip collector and door drip pan with continuous discharge to unit drain
- Halogen cooking cabinet lighting from shock-proof CERAN glass
- Microprocessor-controlled cooking process
- HACCP data memory and output via integral USB interface
- Adjustable buzzer tone
- Adjustable foreign languages display
- Adjustable display contrast
- Real time display
- Free time selection from 0-24 hours, can be adjusted in hours/minutes or minutes/seconds
- Preselected starting time adjustable for time and date
- Function Delta-T cooking
- Temperature unit adjustable in °C or °F
- Half power setting
- Automatic vapour quenching
- Lengthwise loading for 1/1, 1/2, 2/3, 1/3, 2/8 GN accessories
- Hinging rack with additional rail for grease drip container, rail distance 68 mm, hinging rack swivel for easy cleaning
- U-shaped rack rails with notched recesses for easy loading
- All-round heat insulation
- ServiceDiagnostic System with automatic service notices display
- Safety temperature limiter for cabinet and steam generator
- Hinged control panel allows front servicing and inspection
- Operating and warning displays
- DVGW-compliant fixed waste water connection possible
- Separate solenoid valves for normal and soft water
- Height-adjustable feet
- Material inside and out CrNi steel DIN 1.4301
- VDE approved for unsupervised operation

Pieces	Unit price	Total price

SelfCooking Center® 101 E (10x1/1 GN)



- 1 Common water supply (cold water)
- 2 Water supply cold water
- 3 Water supply soft or hot water
- 4 Drain
- 5 Electrical connection
- 6 Equipotential bonding
- 7 Vent pipe DN 50

Minimum distance 50 mm
Measurements in mm (inches)

Technical specification::

Capacity: 10 x 1/1 GN
Lengthwise loading for: 1/1, 1/2, 2/3, 1/3, 2/8 GN
Number of meals per day: 80-150
Width: 847 mm
Depth: 771 mm
Height: 1.017 mm

Water supply (pressure hose): 3/4" / Ø 1/2"
Water pressure (Flow pressure): 150-600 kPa / 0,15-0,6 Mpa / 1,5-6 bar
Water drain: DN 50 mm
Connected load: 19 kW
Fuse protection: 3 x 32 A
Mains connection: 3 NAC 400V
"Moist heat" connection: 18 kW

"Dry heat" connection: 18 kW
Weight (net): 135,5 kg
Cable cross-section: 5 x 4 mm²
Marks of conformity: CE, IPX5, VDE, UL, CUL, NSF, KEMA, PCT, GS, DVGW, SVGW, WRAS, KIWA

Options:

- Left-hand hinged doors
- Safety door lock
- Unit with mobile oven rack
- Unit with special hinging rack for bakers or butchers
- RS 232 serial interface
- Ethernet interface
- AeroCat® (integral catalyser)
- Marine version (German Lloyd)
- Security/Prison version
- Integral fat drain
- Can be connected to power optimisation Sicotronic – others upon request
- Special voltages
- Sous vide core temperature probe
- Menu pad
- Lockable control panel
- Potential-free contact for status display

Accessories:

- Stands and base cabinets
- Heat shield for left hand side panel
- Grids, containers, trays, CombiFry® (frying baskets)
- Superspike (poultry grid), Griddle grid
- Mobile plate rack
- Transport trolley
- Thermocover
- Mobile oven rack and hinging rack for bakers
- Hinging rack for bakers or butchers
- UltraVent® condensation hood
- Exhaust hood
- CombiLink® software package
- CombiCheck® service package
- Grease drip container
- Combi-Duo kits for 2 units one on top of the other
- Special Cleaner tablets and care tabs

RATIONAL UK Ltd. Unit 4, Titan Court, Portenwey
 Business Park, Luton GB-Bedfordshire LU4 8EF Phone
 +44-15 82-48 03 88 Fax +44-15 82-48 50 01

Visit us on the Internet: www.rational-online.com

We reserve the right to make technical improvements